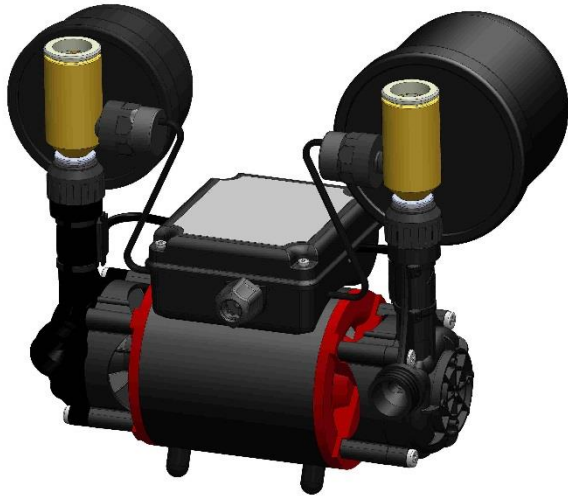


STR2 & SSR2 Universal Head Shower Booster Pump Range



General Description

The STR2 & SSR2 range of shower booster pumps has been specifically designed to minimise turbulence within the pump head, giving class leading efficiency and low noise levels. The quiet AC induction motor is smooth and reliable, and the regenerative design of impeller is ideal for overcoming air pockets that can be generated in a shower system. This type of pump is ideal where the plumbing route includes multiple bends and elbows.

All variants are fitted with high quality shaft seals, and supplied with high quality braided connection hoses and filter washers.

Choose the Universal type pump for installations where the outlet is at the same height, or above the water storage tank. The pump will switch on automatically when the outlet is opened.

Choose from 1.5 bar and 2.0 bar pressure twin ended and 2.0 bar pressure single ended pumps.

Features

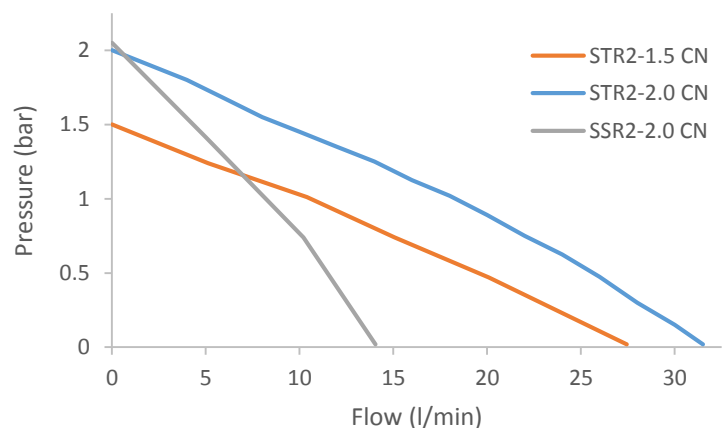
- Continuously rated pump
- Regenerative impeller design
- IPX2 water ingress protection
- Auto-resetting thermal cutout
- Anti-vibration feet
- Mains connection lead – 1.5m long
- Braided connection hoses with 22mm push-fit connections
- 2 year warranty

Technical Data

Data	Pump type		
	STR2-1.5 CN Twin ended pump	STR2-2.0 CN Twin ended pump	SSR2-2.0 CN Single ended pump
Supply voltage	230 V, 50 Hz		
Power consumption	340 W	420 W	280 W
Rated current	1.5 A	1.8 A	1.2 A
Rating	Continuous operation *		
Enclosure class	IPX2 **		
Motor	AC induction		
Inlet head (min. - max.)	1 to 8 m		
Max. developed pump head	15 m	20 m	20 m
Max. operating pressure	3 bar	3 bar	3 bar
Min. starting flow	0.5 l/min.		
Length	310 mm	310 mm	215 mm
Width	235 mm		
Height	255 mm		
Weight	6 kg	6 kg	4.6 kg
Noise level	From 55 to 65 dB(A) @1m		

* Recommended minimum flow rate: 5 l/min.

** When mounted on a horizontal surface



Grundfos Watermill Ltd, Gemini House, Enterprise Way, Edenbridge, Kent. TN8 6HF.

Tel.: 01732 869700. Fax: 01732 869716. www.grundfoswatermill.co.uk

ML10607 02/16